

Air to Water Source Heat Pump /Mini Chiller

Unit size	Power supply	L/s	Heating		Cooling	
			kW	EER	kW	EER
EAP08	220-240V/50Hz/1Ph	0.35	7.4	3.7	6.1	2.79
EAP12	220-240V/50Hz/1Ph	0.54	11.2	3.6	8.9	2.7

Domestic Hot Water Tank

Domestic Hot Water Tank		ENWH150V	ENWH200V	ENWH300V
Pressure Valve	Litres	Fitted		
Water Volume		150	200	300
Max water temperature	°C	85		
Electrical Heater	kW	3(Optional)		
Power supply		220-240V/50Hz/1Ph		
Material inside Tank		Stainless Steel		
Material outside Tank		Mild Steel		
Color		Neutral White		
Weight	kg	38	46	60

Electric data

Model	Power Supply	Compressor		Fan Motor	Pump	Start Current	Min./Max Volts
		RLA	LRA	FLA	A		
EAP08	220V/50Hz/1Ph	4.3	22	0.6	1.3	25	198/242
EAP12	220V/50Hz/1Ph	6.2	31	0.6	1.3	38	198/242

Application

Model	No. of Refrigerant Circuit	Refrigerant Charge R410A(kg)	Fan Motor (watts)	Pump Motors (watts)	Fan Size Dia.(IN)	Water Cons FPT(IN)	Operating Weight(kg)	Shipping Weight (kg)
EAP08	1	2	90	280	18	1"	102	140
EAP12	1	2.7	90	280	18	1"	150	170

Application Limits

Water temperature* (°C)	Standard units		Extended range units	
	Cooling	Heating	Cooling	Heating
Minimum leaving temp.	5	25	2	25
Normal leaving water temp.	7	45	7	45
Maximum leaving water temp.	13	50	15	55

Air temperature* (°C)	Standard units		Extended range units	
	Cooling	Heating	Cooling	Heating
Minimum ambient air temp.	25	-5	15	-15
Normal ambient air temp.	35	7	35	7
Maximum ambient air temp.	43	15	48	25

*At standard flow rates specified or equivalent enthalpy.

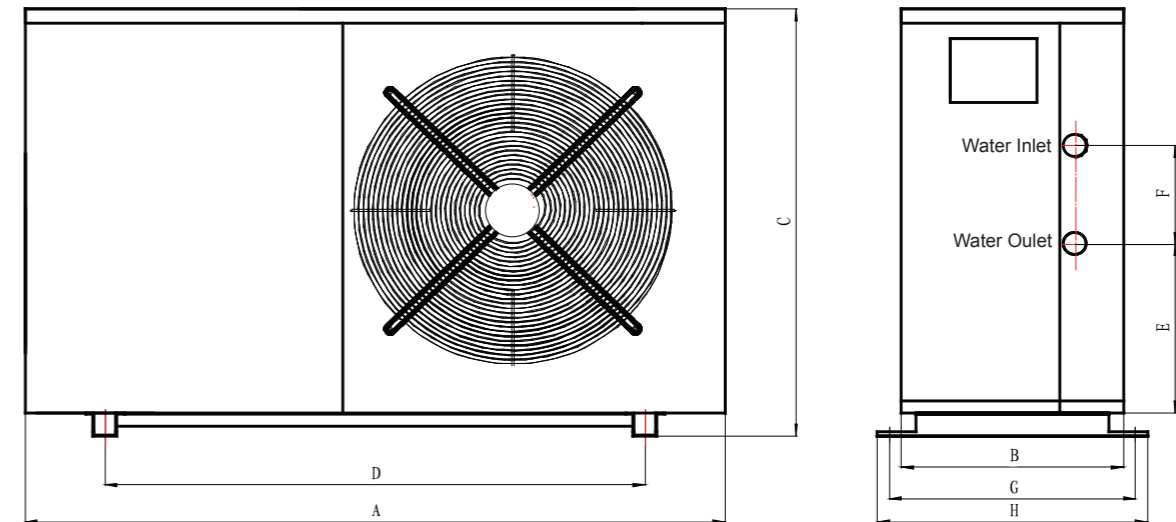
Sound Pressure Level

Model	Octave band(Hz)								Total dB(A)	Model	Distance(m)				
	63	125	250	500	1000	2000	4000	8000			Sound Pressure dB(A)				
	Sound pressure level(dB)									1	5	10	15	20	
EAP08	56	47	46	45	47	39	33	36	49	EAP08	49	40	34	31	28
EAP12	58	54	52	50	51	42	38	40	54	EAP12	54	45	39	36	33

Reference point: in open field at 1m from the surface of the unit on the coil side and 1m above the support surface

Dimensions

Unit Size EAP08,EAP12



Data	A	B	C	D	E	F	G	H
Model								
EAP08/EAP12	1200	460	820	886	330	250	510	560